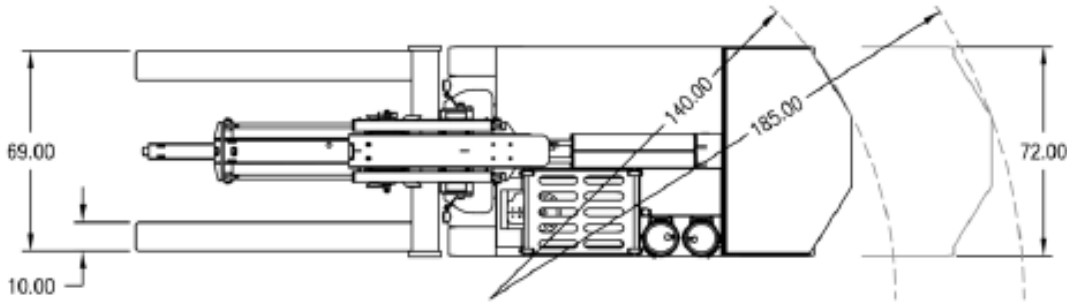


FR SERIES 40/60

40,000 / 60,000 lbs. (18-27 tonnes)



WEIGHTS - lbs (kg)	
Counterweight	16,240 (7,366)
Boom	5,500 (2,495)
Forks	3,100 (1,406)
Total	56,627 (25,685)

LIFT CAPACITIES: FORKS ONLY

COUNTERWEIGHT EXTENSION - in (mm)	WHEELBASE in (mm)	LOAD CENTER in (mm)	# OF SLABS	LIFT CAPACITY lbs (kg)
0 (0)	98 (2,500)	36 (900)	0	22,300 (10,115)
0 (0)	98 (2,500)	36 (900)	7	41,800 (18,960)
48 (1,200)	146 (3,700)	36 (900)	0	31,500 (14,288)
48 (1,200)	146 (3,700)	36 (900)	7	60,500 (27,442)

LIFT CAPACITIES: BOOM ONLY

COUNTERWEIGHT EXTENSION - in (mm)	WHEELBASE in (mm)	LOAD CENTER in (mm)	# OF SLABS	LIFT CAPACITY lbs (kg)
0 (0)	98 (2,500)	36 (900)	0	20,700 (9,389)
0 (0)	98 (2,500)	36 (900)	7	39,900 (18,100)
48 (1,200)	146 (3,700)	36 (900)	0	29,800 (13,517)
48 (1,200)	146 (3,700)	36 (900)	7	58,200 (26,400)

