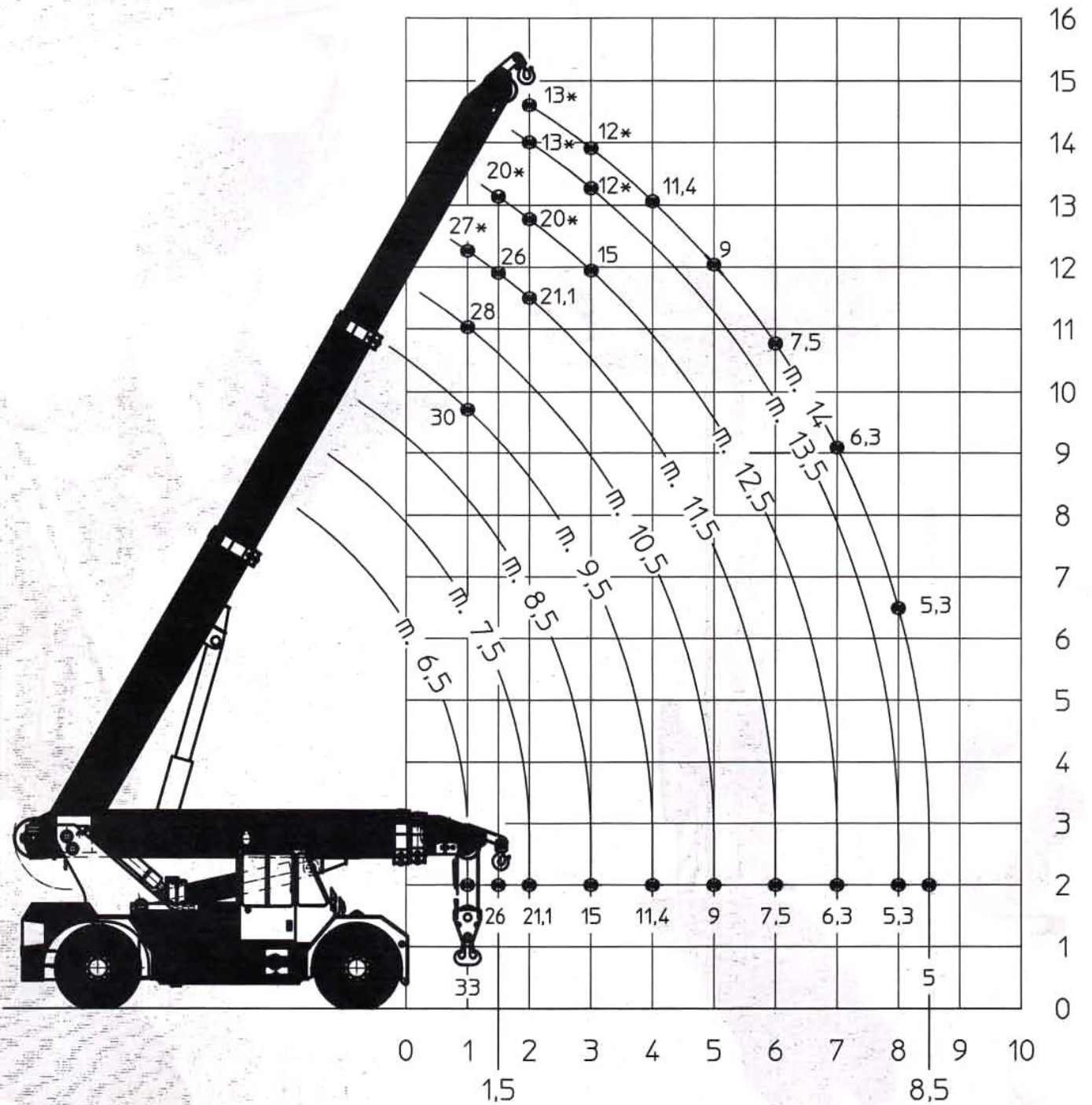


Lifting capacity chart (tonnes)



\* Portate determinate da fattori diversi dal ribaltamento  
 \* Capacities determined by factors other than tipping load